

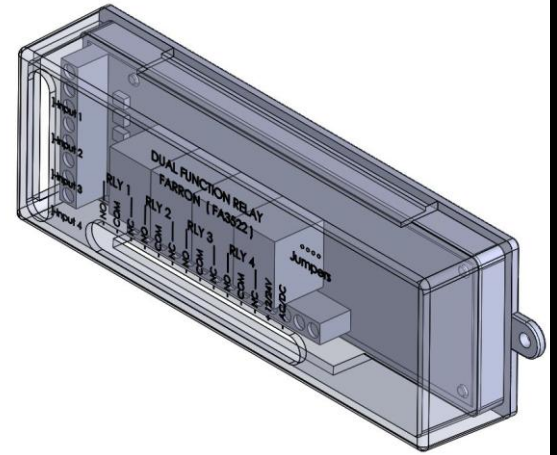


FA-22R

DUAL-FUNCTION RELAY

Technical Specifications

INDUSTRIES LTD.



Dual function relay designed for Universal washroom systems and Multiple Automatic Door operators. The FA-22R provides a rugged and reliable solution for commercial barrier-free washrooms, automatic vestibule doors or other automatic door applications.

Spec.	Description
Dimensions	31mm H x 50mm W x 148mm L
Voltage	12 to 24 V AC/DC
Current	100mA to 350mA
Contact	Screw Terminal Block, Side entry
Input	4 Dry Inputs 4 Relay Inputs (N/O, COMMON, N/C)
Response Time	0.5 seconds
C. Rating	240VAC 7A / 125VAC 10 A
LED	5 Integrated PCB LEDs
Jumper	(x2) 2-pin Jumpers, adjust to change function
Function	Universal Washroom and Multi-Door application
Enclosure	Transparent Plastic

