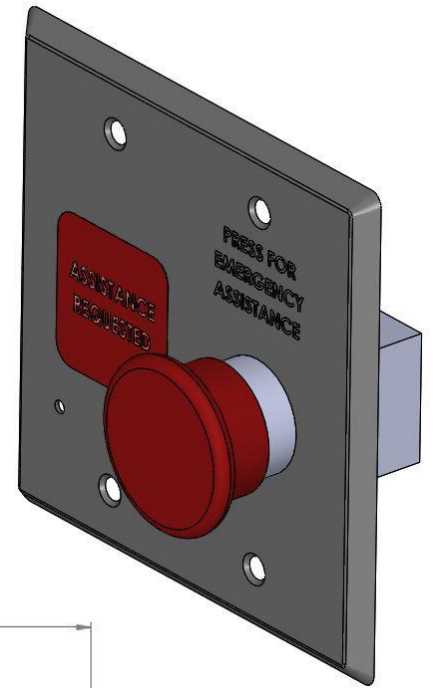


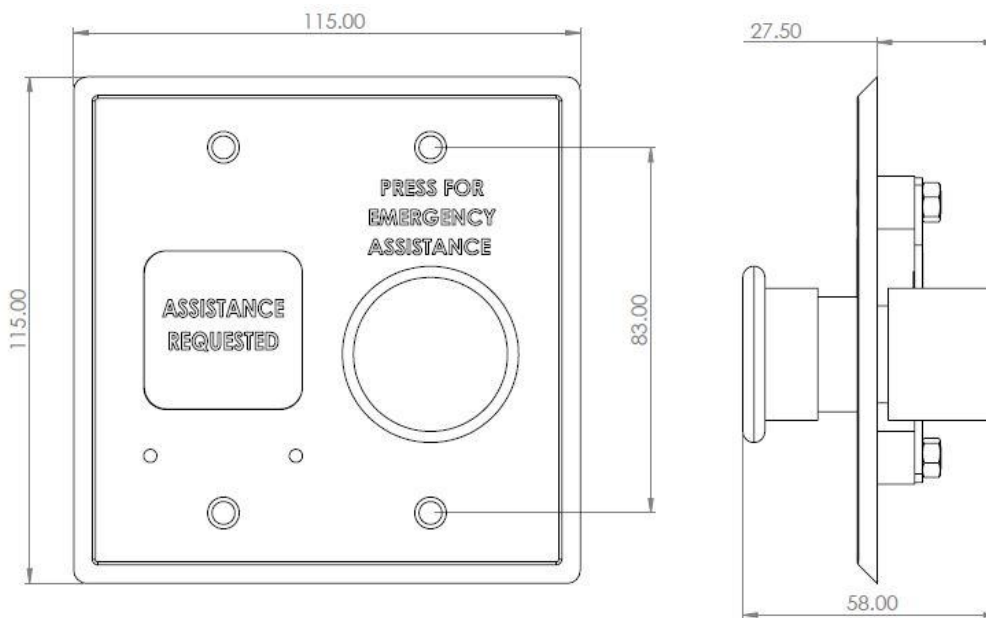


**FA-44EAD**  
**Emergency Assistance**  
**Button with Display/Buzzer**



**Technical Specifications**

**INDUSTRIES LTD.**



Spec.	Description
Voltage	24 V DC
Current	25mA to 75mA; < 250mA
Contact	Screw Terminal Block, Side entry. (-) (+)
Contact 2	Double Pole Single Throw, Maintained
C. Rating	240V – 3A, N/O and N/C
Sounder	Continuous high pitch, 90dB @ 1 M (x2)
Button	Red Mushroom Head, Round (Push/Pull)
LED	Plastic RED display plate, chip LEDs
Finish	Stainless Steel

